

NEW PRODUCT

DAVEY
StarFlo®

TOUGH AND
VERSATILE

APPLICATION

Ideal for in-ground and above ground pools, large swim spas and plunge pools. Also suitable for solar pool heating. Models to suit pools up to 140,000 litres.



DESIGNED TO FILTER AND CIRCULATE POOL WATER

- > **Reliable - Universal, multi-fit and versatile pump that suits multiple applications:**
 - Constructed of strong corrosion resistant and UV resistant materials for long and reliable working life
 - Heavy duty, totally enclosed motor protects against the elements for long operating life
 - Built-in, self-resetting thermal overload protects the motor against damage from over-heating
- > **High Quality** – Corrosion resistant Noryl impeller for longer lasting trouble free performance
- > **Long Lasting** – High performance silicon carbide Viton mechanical seal for long life in pool water
- > **High Strength** – 316 stainless steel motor shaft
- > **High Performance** – Powerful pumping delivering optimum flow rates for rapid pool water turnover
- > **Double insulated to water circuit**
 - Provided with an Equipotential Bonding Point for AS/NZ 3000 wiring standards
- > Fully serviceable, allowing for easy maintenance and repair
- > Drain plugs enabling simple water drainage for easy maintenance
- > 3m power lead with 10amp Australian three pin plug fitted to all models
- > 3 year warranty

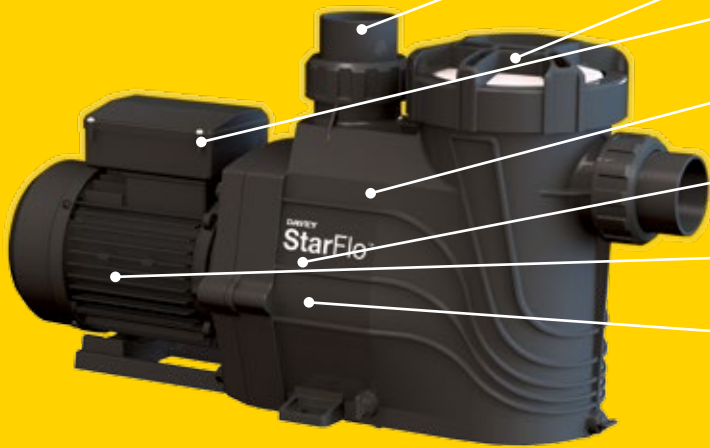


Depend on Davey

DAVEY

StarFlo

Universal Pool Pump



40 & 50mm barrel unions
for ease of installation

Easy to remove, see-through strainer lid

Self resetting thermal overload protection
in the event of the pump overheating

Corrosion resistant Noryl impeller for longer
lasting trouble-free performance

316 stainless steel motor shaft
won't corrode or rust

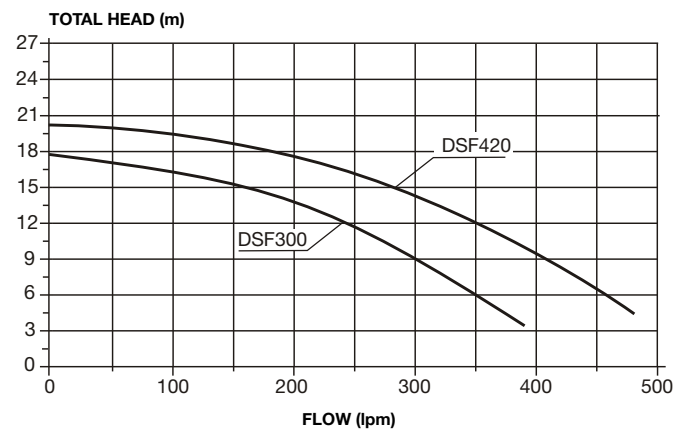
High performance motor with power
reserves for extended operating life

**High performance silicon carbide Viton
mechanical seal** for long life in pool water

ELECTRICAL DATA

Model	DSF300	DSF420
Voltage (V)	220-240	
Phase	Single	
Supply frequency (Hz)	50	
Run current (A)	5.8	8.3
Motor input power (W)	1100	1650
Motor output power (W)	750	1300
RPM	2900	
Enclosure class (IP)	55	
Insulation class	F	
Approval No.	TUV02147EA	

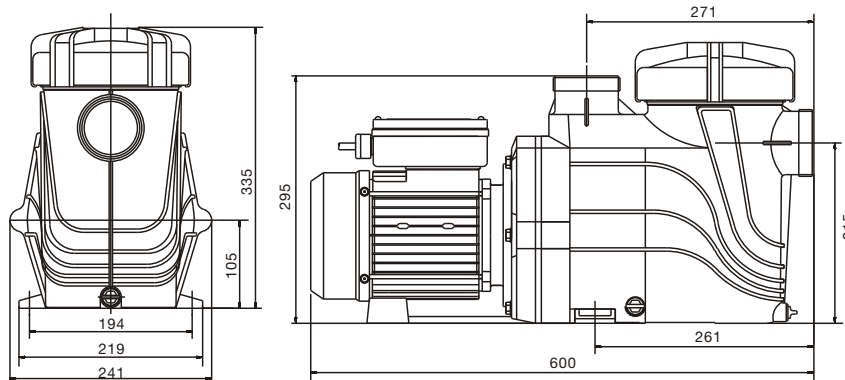
HYDRAULIC PERFORMANCE



OPERATING LIMITS	Max. water temperature	Max. ambient temperature	dBa @ 1 metre
	40°C	50°C	62 - (DSF300) 65 - (DSF420)

DIMENSIONS (mm)

Model	Mounting Holes Diameter	Inlet PVC	Outlet PVC	Net Weight (kg)
DSF300	11	40 & 50	40 & 50	10.0
DSF420				11.5



davey.com.au | daveynz.co.nz | daveyeurope.eu | daveyusa.com

This literature is not a complete guide to product usage. All images provided in this document are for illustration purposes only. Further information is available from your Davey Dealer, Davey Support Centre and from the relevant product Installation and Operating Instructions. Must be read in conjunction with the relevant product Installation and Operating Instructions and all applicable statutory requirements. Product specifications may change without notice. © Davey is a registered trademark of Davey Water Products Pty Ltd. © Davey Water Products Pty Ltd 2017.

DAVEY

Depend on Davey